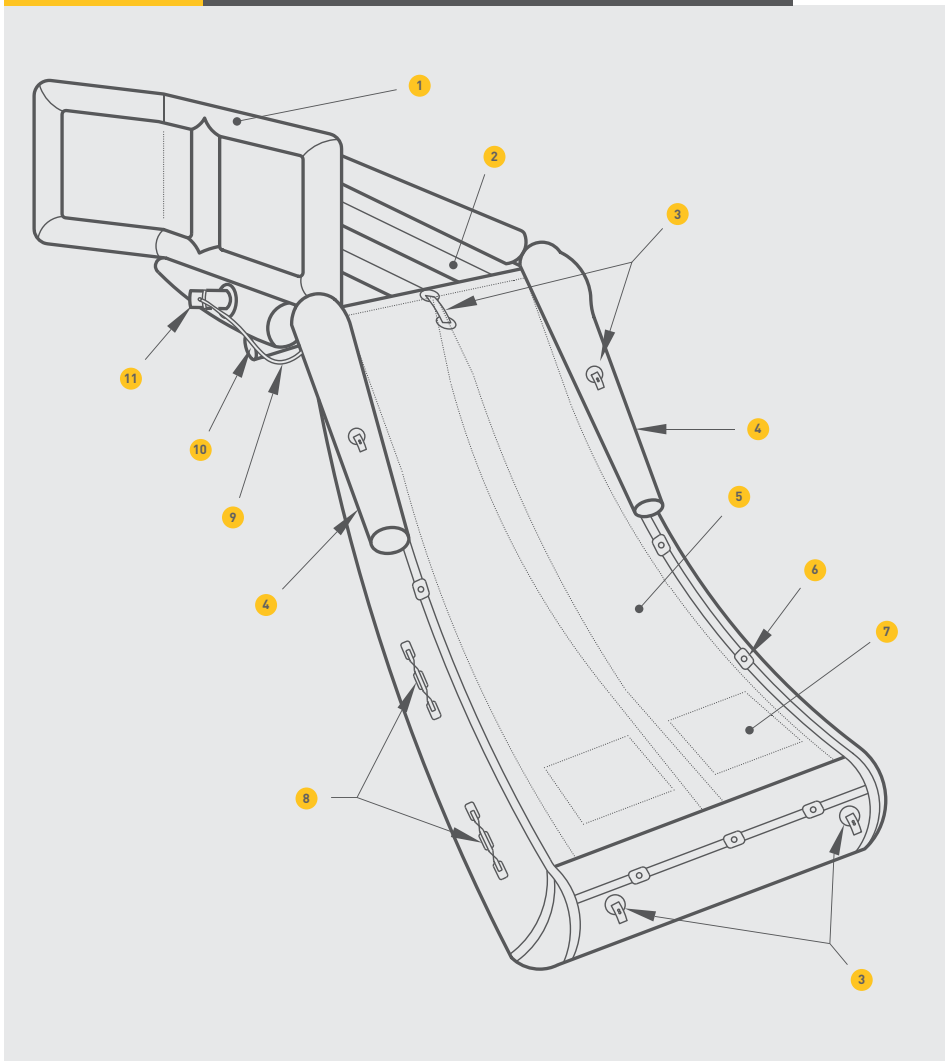


SL1100**OFF-WING SLIDE OW-320F****PRODUCT FEATURES**

- 1 Hand Rail
- 2 Ramp
- 3 Breakable Links
- 4 Sideguard
- 5 Dual Lane Slide Surface
- 6 White Led Light Harness
- 7 Deceleration Pad
- 8 Life Line
- 9 Hose Assembly
- 10 Ramp Support
- 11 Aspirator

COMMERCIAL**AVIATION****A NEW OPTION FOR OFF-WING EVACUATION****PRODUCT HIGHLIGHTS**

The Off-Wing Slide consists of an inflatable ramp section and an inflatable dual lane slide, joined to form an integrated assembly.

The entire assembly is constructed of Radiant Heat Resistant fabric, a compressed gas cylinder/valve assembly, hoses, aspirator and an all composite enclosure.

DURABLE + RELIABLE

The EAM Model SL1100 Off-Wing slide is designed to provide rapid egress from the aircraft overwing exits in case of emergency.

FAA TSO-C69c TESTED

EAM Model SL1100 Off-Wing Slide is designed and tested to meet FAA TSO-C69c.

PRODUCT FEATURES

- New Generation High and Mid Intensity White LED Lights
- Designed with Heat Sealed Technology

MADE IN THE USA**SLIDE SPECIFICATIONS**

PART NUMBER	APPROVAL	FREQUENCY OF INSPECTION	ENVIRONMENTAL LIMITS	SLIDE TYPE
SL1100 - ()	FAA TSO-C69c - Pending FAA STC - Pending	Every 3 Years	Storage Range: -40° to 160°F (-40° to 71°C)	Dual Lane with Ramp

EAM WORLDWIDE SLIDE REPAIR STATIONS

FRANCE	AUSTRALIA	SINGAPORE	SPAIN	ITALY
EMS 6 Rue Jean Monnet 95190 Goussainville France	Australian Maritime Systems 655 Macarthur Avenue Central Pinkenba, QLD 4008 Australia	W.H. Brennan 47 Loyang Way Singapore, 508739 Singapore	Ingeniería Semasa, S.A. C/ Ámsterdam 81 Pol. Ind. 28813 Torres de la Alameda Madrid, Spain	ABL S.R.L. Via Monte d'Oro 31 bis/b 00040 Pomezia (Roma) Italy
P: +33 (0)1 39 88 63 55 F: +33 (0)1 39 88 06 73 E: ch.ottenwaelter@ems-fr.com www.ems-fr.com	P: +61.7.3633.4100 F: +61.7.3633.4199 E: aviation@marsys.com.au www.maritime-system.com	P: +65.6549.5111 F: +65.6542.5246 E: rk@whbrennan.com www.whbrennan.com	P: +34.91.886.85.00 ext. 12 F: +34.91.885.81.44 E: ainhoa@ingenieriasemasa.com www.ingenieriasemasa.com	P: +39.(06)9100387 - 91611070 F: +39.(0)91141700 E: info@ablsrl.com www.ablsrl.com

EAM WORLDWIDE IS ALSO A DESIGNATED SLIDE REPAIR STATION. PLEASE VISIT WWW.EAMWORLDWIDE.COM FOR MORE INFORMATION & UPDATES.

A LEGACY OF DEDICATION

EAM Worldwide was founded by Samuel Oroshnik, who was an aviation enthusiast since his teenage years. He took his passion for flying and turned it into a business to serve the unmet needs of the aviation industry. As a one-man shop, Oroshnik began by selling surplus safety equipment and later designed and built his own life rafts and vests by hand.

Today, EAM serves all OEM's, operators and lessors in the aviation and marine industries worldwide. Celebrating over 60 years as an industry leader, EAM continues to offer lightweight, innovative products which are customizable to meet clients' specific needs. Our dedicated team of specialized engineers continues to discover and design new applications in safety and survival technology year after year. EAM is also proud to support over 30 distribution centers and repair stations to ensure the optimal maintenance and performance of its products. EAM Worldwide proudly serves clients around the world with its headquarters in Miami, Florida and global sales office in Dubai, United Arab Emirates.

SLIDE PRODUCTS

The Off-Wing Slide enhances EAM's inflatable product portfolio, giving our clients greater selection than ever before. EAM slides carry the same service guarantee and attention to detail as our vest and raft products. EAM's slide series is also equipped with new features, such as new generation white LED lights to ensure visibility during day or night use. All EAM slides are designed to provide safe, rapid and reliable means for deplaning in case of emergency.



USA HEADQUARTERS
5502 NW 37TH AVENUE
MIAMI, FLORIDA 33142 USA
MAIN +305.871.4050 **FAX** +305.637.8632

GLOBAL SALES OFFICE
BUSINESS CENTRAL TOWERS, 1504A
SHEIKH ZAYED ROAD, DUBAI, UAE
MAIN +971.4.375.3471 **FAX** +971.4.439.3590

WWW.EAMWORLDWIDE.COM
INFO@EAMWORLDWIDE.COM